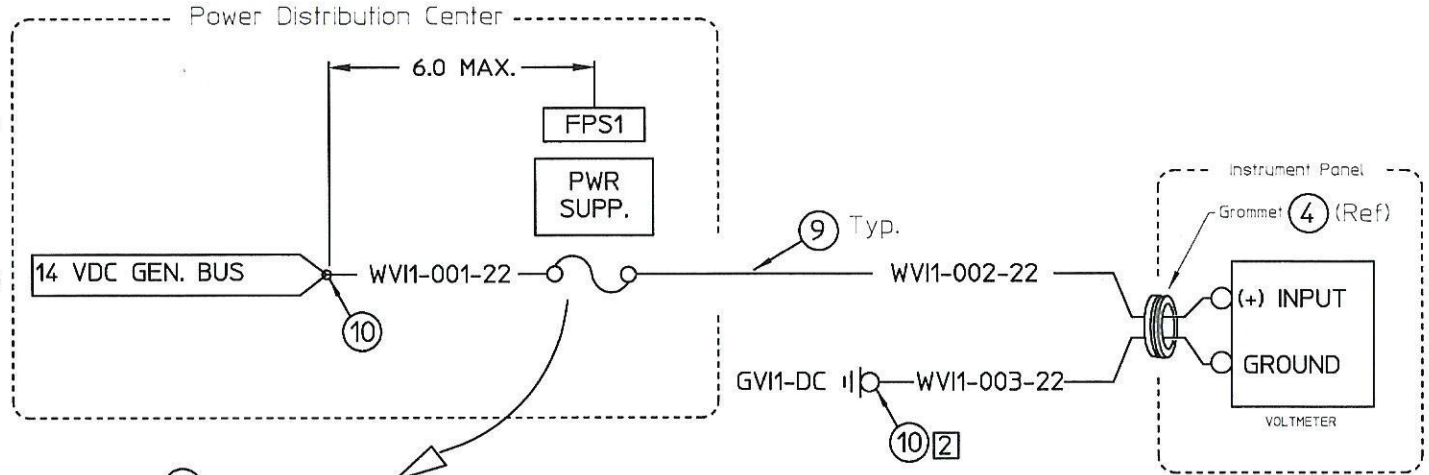


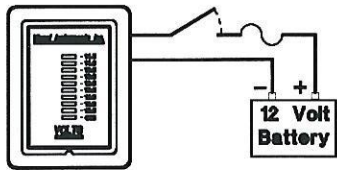
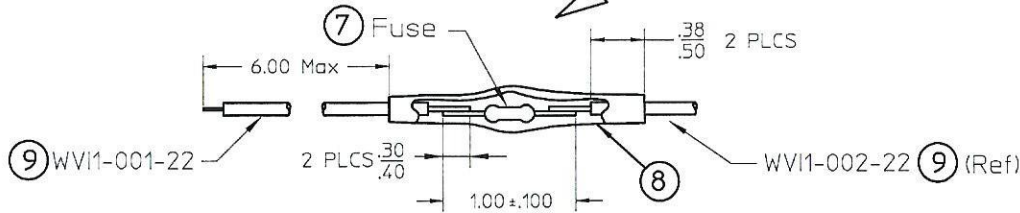
NOTES: (UNLESS OTHERWISE SPECIFIED)

- 1 Using the 2 self-tapping screws, mount the meter in a suitable location, preferably out of direct sunlight. Make sure the appropriate engraved word "TOP" (dependent on vertical or horizontal installation) is located up.
- 2 Build up ground stud per AC43.13-1b Chapter 11, Section 15.
3. Route wires as shown per AC 43.13-1b Chapter 11, section 9 and 11. Paying specific attention to the following details:
  - Pick-up existing wire runs by opening existing clamps and utilizing nylon tie wraps to secure new wires to parent harness.
  - The final harness should be neat in appearance - all wires should be Parallel. Breakouts will have support before and after departure from parent harness.
  - Inspect and verify that the new wires cannot be manually deflected into any structure with a bend radius of less than .125 inches
  - Wires will not be routed within 6" of fluid carrying lines. If this is not possible, install wires per AC 43.13-1b Chapter 11, Paragraph 11-126
4. Affix the appropriate label (vertical or horizontal). Peel off the clear protective top layer.

B-2000-0160-2			
SYN	REVISIONS	APPROVED	DATE
A	Released for Production	SAM	11/08/02



Current Drain less than 100ma at 12 volts DC



Simplified Schematic

Typical Installation

THIS DOCUMENT CONTAINS CONFIDENTIAL, PROPRIETARY INFORMATION THAT IS VISUAL INSTRUMENTS (VI) PROPERTY. DO NOT DISCLOSE TO OR DUPLICATE FOR OTHERS EXCEPT AS AUTHORIZED BY VI.

ITEM	QTY.	PART/MATERIAL-DESCRIPTION	Visual Part Number	Control Drawing Number
10	2	Ring Terminal #8 26-20 AWG 3m MVU18-8R/LK	2000-5012	B-2000-5012-1
9	A/R	22 Gage wire Mil.Spec Mil-W-22759/16	2000-5007	B-2000-5007-1
8	A/R	Shrink Tubing 1/8 dia 3M SR-350	2000-5006	B-2000-5006-1
7	1	Fuse 2 Amp 125 V Axial	2000-5005	B-2000-5005-1

UNLESS OTHERWISE SPECIFIED		Steve Mahoney DRAWN BY		03/07/96 DATE		12V Voltmeter Installation		Visual Instruments Inc	
• DIMENSIONS ARE IN INCHES	• THIRD ANGLE PROJECTION								
• TOLERANCES	XX±.02	Steve Mahoney		03/07/96		TITLE		2000-0160	
	XXX±.005	ENGINEER/CHECKER				RELEASE TO PROD.		PART NUMBER	
DO NOT SCALE THIS DRAWING	STRIKE OUT OR FILL IN AS NEEDED					FILE		B-2000-0160-2	
		'2000-0160-2_revA.mil		X .75 SCALE		2 SHEET 2 OF			